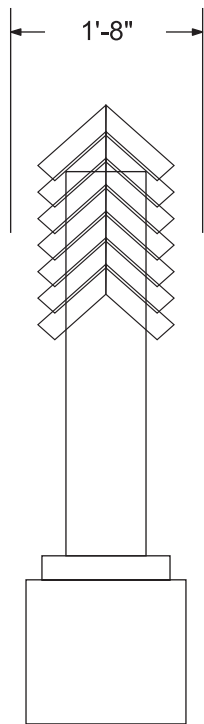
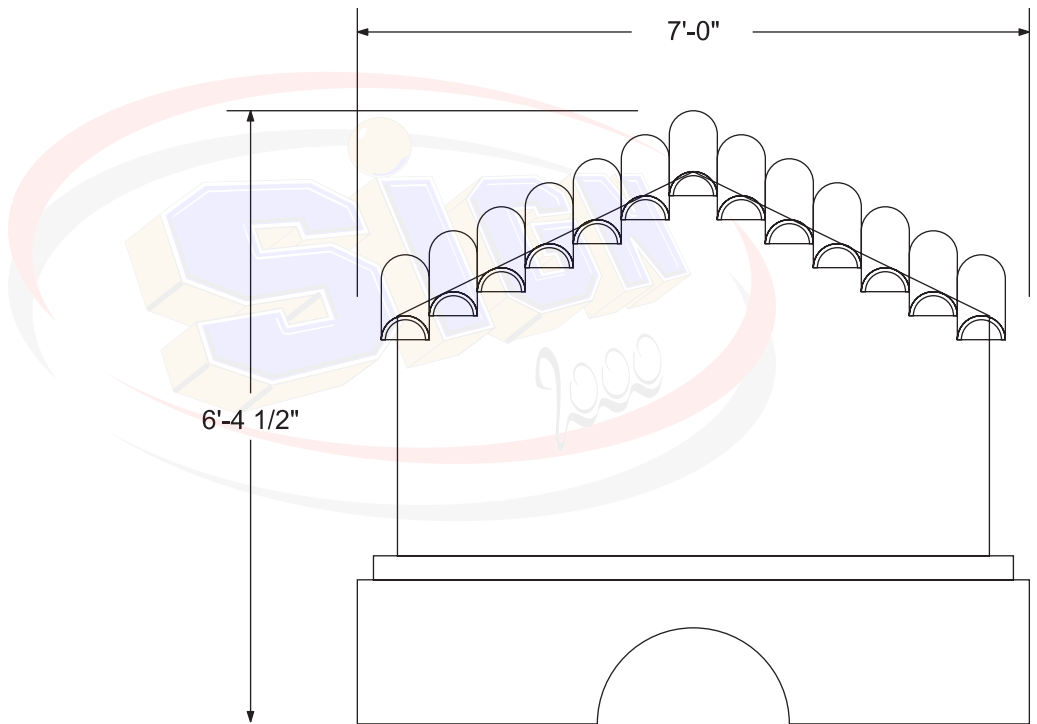


End View



Front and Back View



**SIGNS OF 2000**  
 10 Butler St., Clifton, NJ 07011  
 Tel: 973-253-1333  
 Fax: 973-253-1953  
[sales@signof2000.com](mailto:sales@signof2000.com)  
[www.signof2000.com](http://www.signof2000.com)

Company:  
 Street:  
 City:  
 State/Zip:  
 Country:  
 Phone:  
 Fax:  
 Description:  
 Comment:

Job No:  
 Contact Name:  
 Order Taken From:  
 Order Date:  
 Terms:  
 Delivery Date:  
 Shipping:

P.O. Number:  
 Drawing Name:  
 Price: \$.....