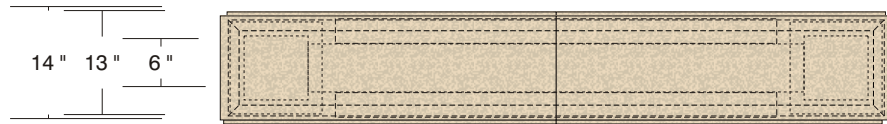


TYP
Dwg. No.:
DST-04_57x84

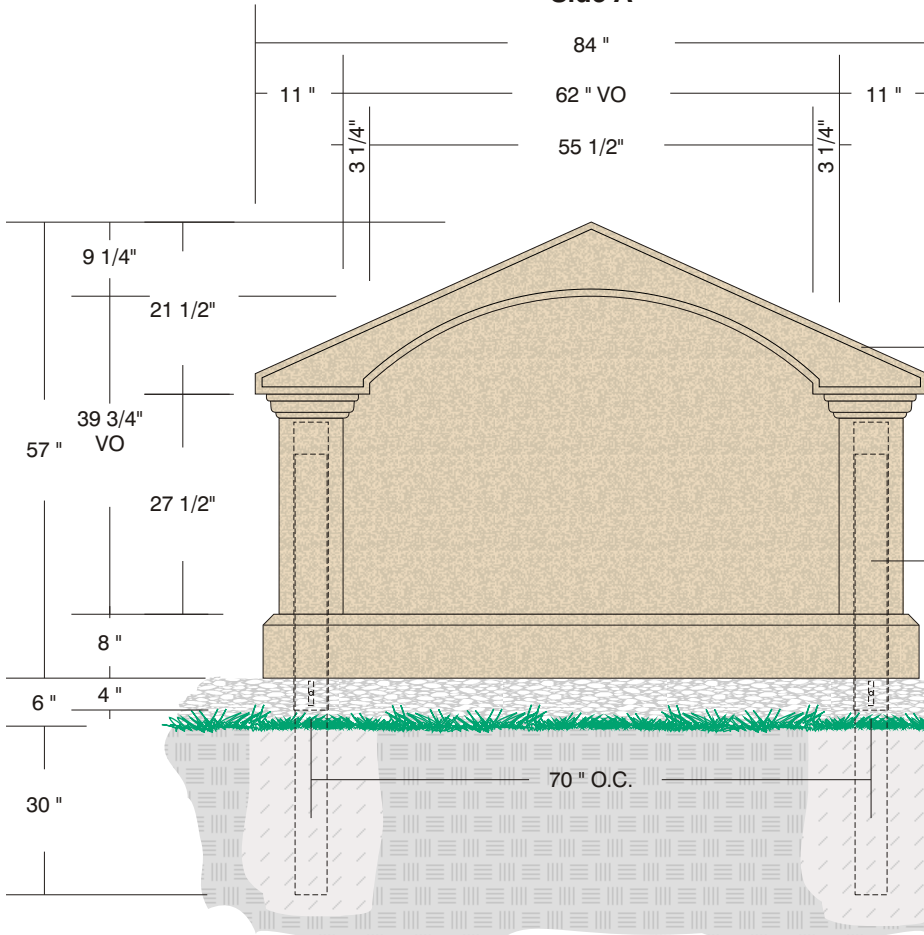
Custom DeSign Stone "DST-04"

Double Internal Posts, Double Face,
 Standard Texture and Finish, Non-Illuminated

Top View



Side A



Custom DeSign Stone sign system with
 (1) 39 3/4" x 64" x 6" body,
 (1) 8" x 82" x 12 base,
 (2) 24 1/2" x 8" x 8" columns,
 (2) 3" x 11 1/2" x 11 1/2" column caps and
 (1) 21 1/2" x 84" x 13" top cap with
 (2) 19 3/4" x 82 1/4" x 1/2" top cap accents

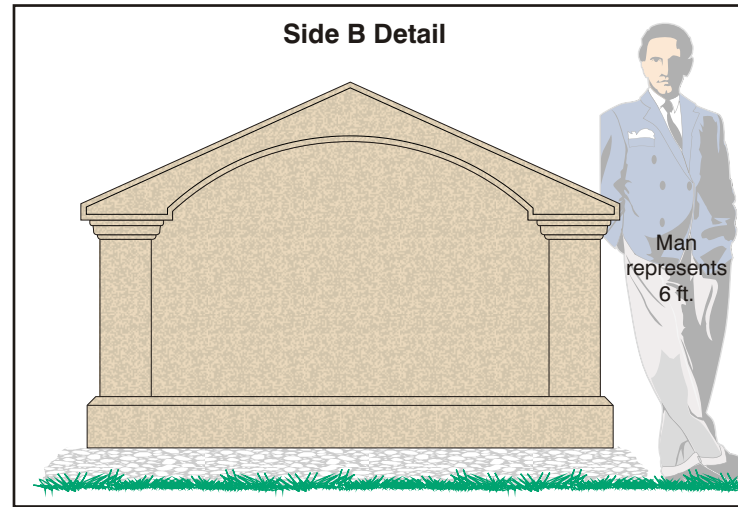
(2) 4 1/8" dia x 36" internal mounting sleeves and
 (2) 4" x 4" x 64" internal mounting posts

6" of mulch or other flexible landscape material

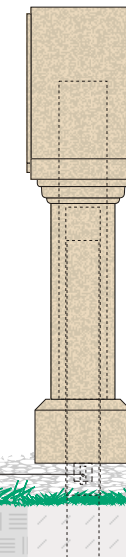
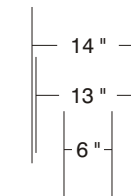
"Quick Connect" easy installation system

Foundation by others (recommended to fill concrete to below the sleeve for easy sign removal)

Side B Detail



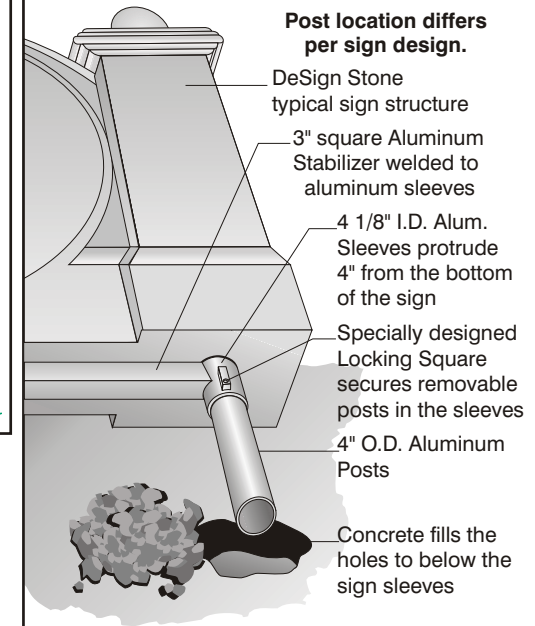
Side View



Typical "Quick Connect" Installation

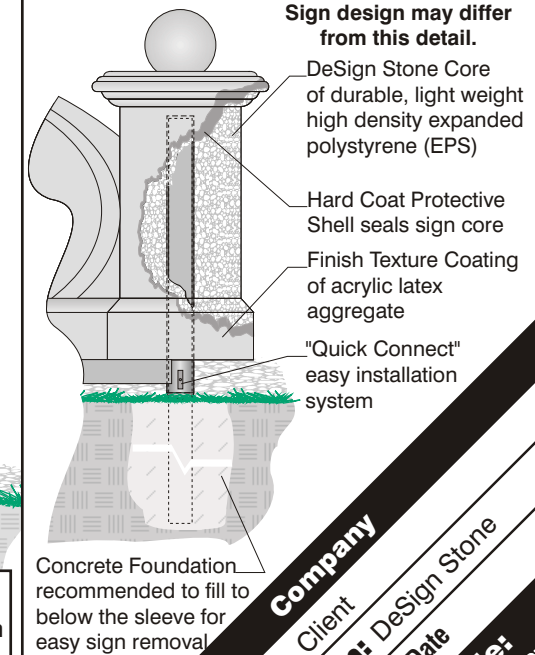
Easy to install and remove.

Post location differs per sign design.



DeSign Stone Typical Detail

Sign design may differ from this detail.



Drawing Notes

- * All sign components consist of spray hardened high density expanded polystyrene and aluminum posts
- * All sign components painted with textured paint
- * Customer to supply color samples

Client: Client
System: DeSign Stone
Date: Date
Scale: 1/2" = 1'-0"