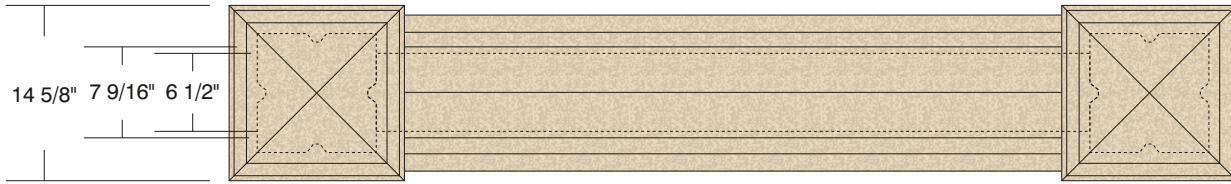


TYP
 Dwg. No.:
 DST-05 - 43x84

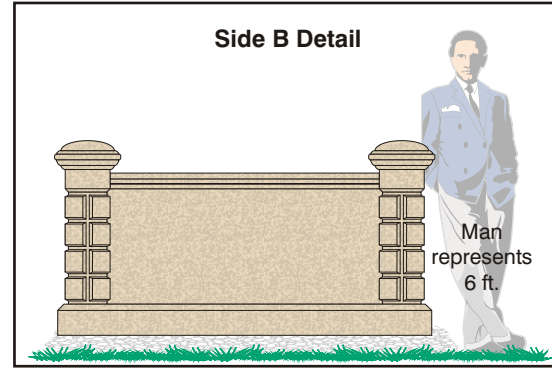
Custom DeSign Stone "DST-05"

Double Internal Post, Double Face,
 Custom Painted Finish, Non-Illuminated

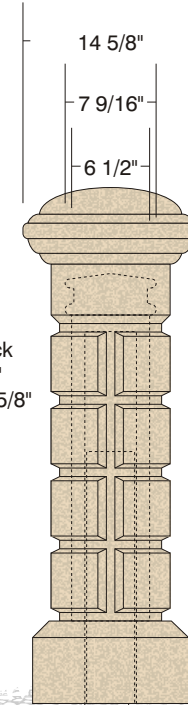
Top View



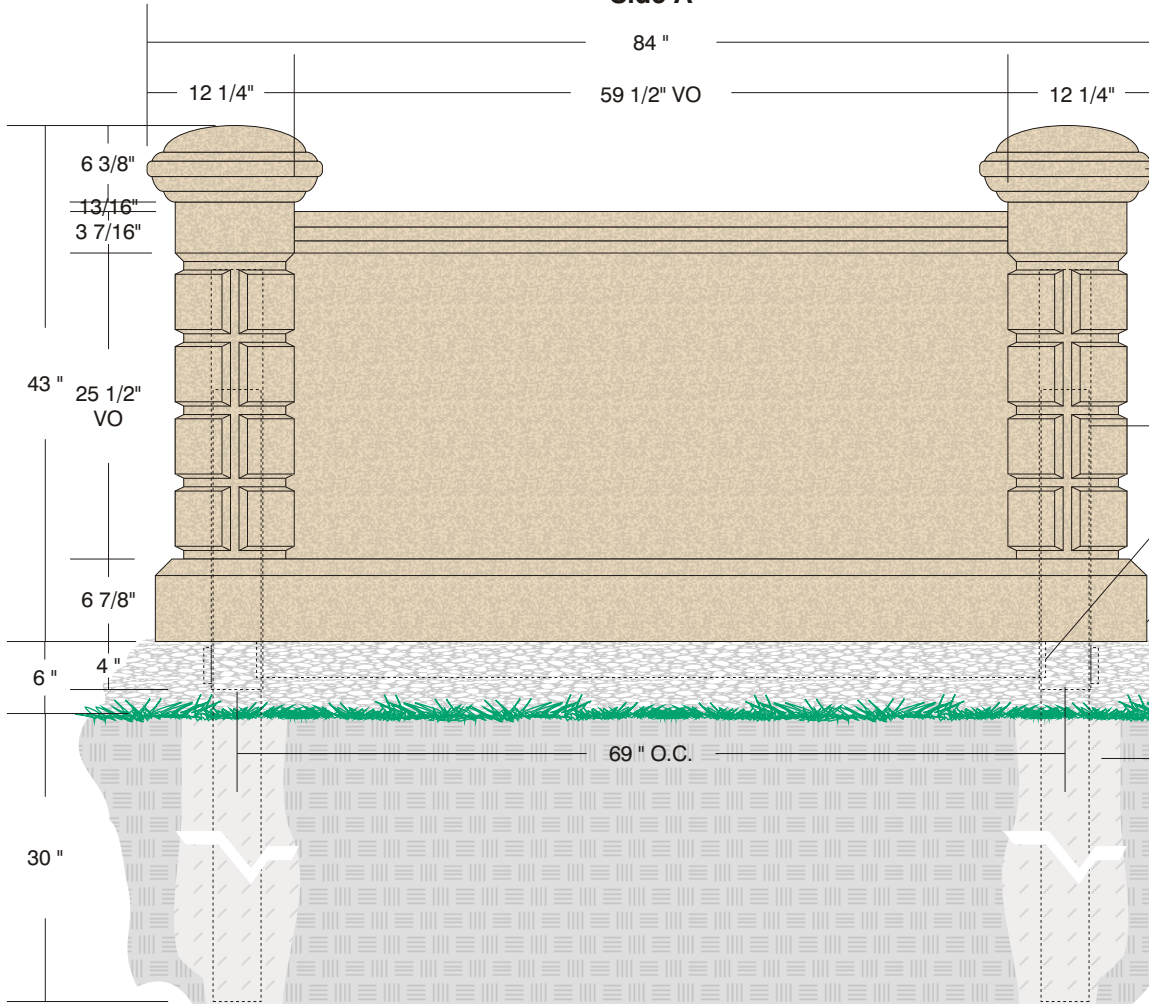
Side B Detail



Side View



Side A



DeSign Stone sign system with (2) 4 1/8" x 4 1/8" x 35" full round internal mounting sleeves, (1) 25 1/2" x 59 1/2" x 6 1/2" body, (1) 6 7/8" x 82 5/8" x 13" base, (2) 24 13/16" x 9 15/16" x 9 15/16" block columns, (1) 3 7/16" x 59 1/2" x 7 9/16" body cap, and 11 5/16" x 14 5/8" x 14 5/8" column caps

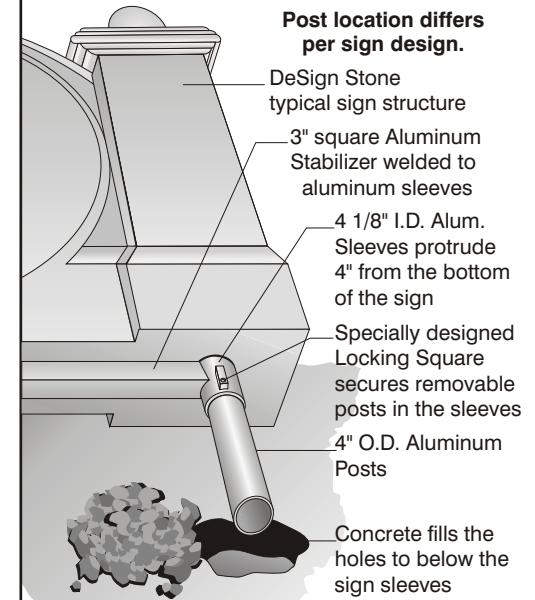
(2) 4" x 4" x 57" full round internal mounting posts
 (1) 3" x 3" x 65 3/4" stabilizer bar welded to mounting sleeves
 6" of mulch or other flexible landscape material

"Quick Connect" easy installation system
 Foundation by others (recommended to fill concrete to below the sleeve for easy sign removal)

Typical "Quick Connect" Installation

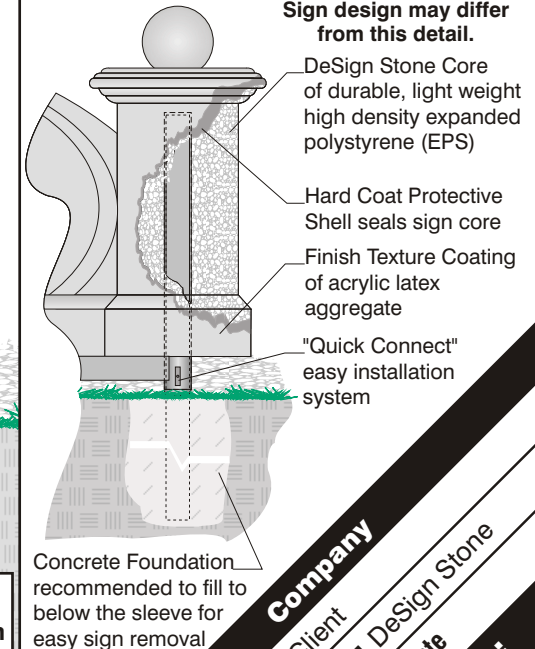
Easy to install and remove.

Post location differs per sign design.



DeSign Stone Typical Detail

Sign design may differ from this detail.



Drawing Notes

- * All sign components consist of spray hardened high density expanded polystyrene and aluminum posts
- * All sign components painted with textured paint
- * Customer to supply color samples

Client: Client
 System: DeSign Stone
 Date: Date
 Scale: 3/4" = 1'-0"